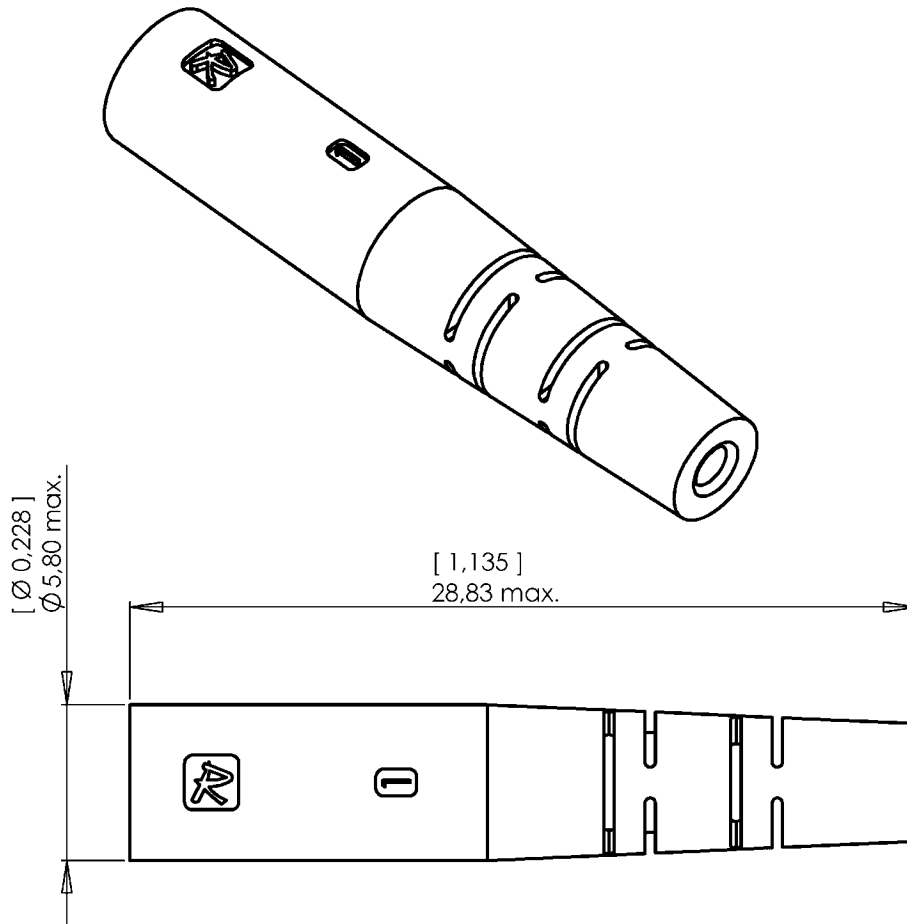


BOOT FOR Ø 1.6 MM CABLE

 Packaging
 100

 Series
 LC

 Issue
 10 18 02

 Page
 1 / 1


Original dimensions in mm [inch]

GENERAL

- Compatible with LC connectors
- Suitable for use with cable size Ø 1.6 mm
- Compatible with Bellcore GR 326 specification (V0, LOI 28 % mini.)
- Color : **Beige**